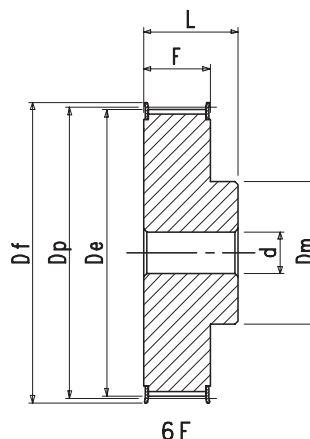
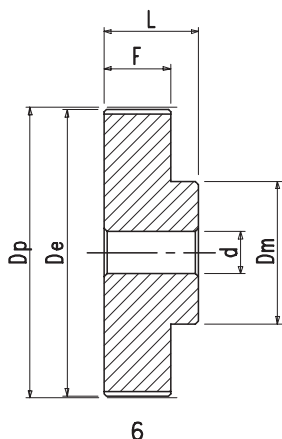


AT10 16 Referência	Número de Dentes	Dp	De	Df	Dm	F	L	d	Peso kg
31 AT 10/15-6F	15	47,75	45,90	51	32	21	31	8	0,110
31 AT 10/16-6F	16	50,93	49,05	54	35	21	31	8	0,130
31 AT 10/18-6F	18	57,30	55,45	60	40	21	31	8	0,170
31 AT 10/19-6F	19	60,48	58,60	66	44	21	31	8	0,200
31 AT 10/20-6F	20	63,66	61,80	66	46	21	31	8	0,220
31 AT 10/22-6F	22	70,03	68,15	75	52	21	31	8	0,270
31 AT 10/24-6F	24	76,39	74,55	83	58	21	31	8	0,330
31 AT 10/25-6F	25	79,58	77,70	83	60	21	31	8	0,360
31 AT 10/26-6F	26	82,76	80,90	87	60	21	31	8	0,370
31 AT 10/27-6F	27	85,94	84,10	91	60	21	31	8	0,400
31 AT 10/28-6F	28	89,13	87,25	93	60	21	31	8	0,420
31 AT 10/30-6F	30	95,49	93,65	97	60	21	31	8	0,460
31 AT 10/32-6F	32	101,86	100,00	106	65	21	31	10	0,530
31 AT 10/36-6F	36	114,59	112,75	119	70	21	31	10	0,700
31 AT 10/40-6F	40	127,32	125,45	131	80	21	31	10	0,870
31 AT 10/44-6	44	140,06	138,20	—	88	21	31	10	1,000
31 AT 10/48-6	48	152,79	150,95	—	95	21	31	16	1,200
31 AT 10/60-6	60	190,99	189,10	—	110	21	31	16	1,850

POLIAS AT10 25

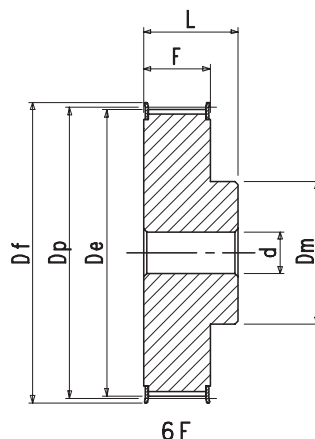
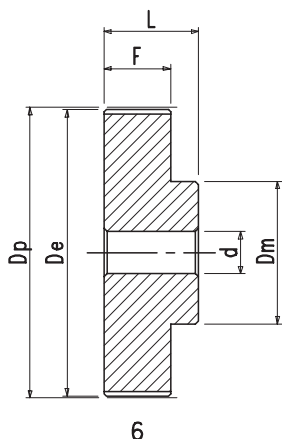
Faça download de nossos desenhos padrões.



AT10 25 Referência	Número de Dentes	Dp	De	Df	Dm	F	L	d	Peso kg
40 AT 10/15-6F	15	47,75	45,90	51	32	30	40	8	0,150
40 AT 10/16-6F	16	50,93	49,05	54	35	30	40	8	0,180
40 AT 10/18-6F	18	57,30	55,45	60	40	30	40	8	0,230
40 AT 10/19-6F	19	60,48	58,60	66	44	30	40	8	0,260
40 AT 10/20-6F	20	63,66	61,80	66	46	30	40	8	0,280
40 AT 10/22-6F	22	70,03	68,15	75	52	30	40	8	0,350
40 AT 10/24-6F	24	76,39	74,55	83	58	30	40	8	0,410
40 AT 10/25-6F	25	79,58	77,70	83	60	30	40	8	0,460
40 AT 10/26-6F	26	82,76	80,90	87	60	30	40	8	0,490
40 AT 10/27-6F	27	85,94	84,10	91	60	30	40	8	0,530
40 AT 10/28-6F	28	89,13	87,25	93	60	30	40	8	0,550
40 AT 10/30-6F	30	95,49	93,65	97	60	30	40	8	0,620
40 AT 10/32-6F	32	101,86	100,00	106	65	30	40	10	0,700
40 AT 10/36-6F	36	114,59	112,75	119	70	30	40	10	0,910
40 AT 10/40-6F	40	127,32	125,45	131	80	30	40	10	1,100
40 AT 10/44-6	44	140,06	138,20	—	88	30	40	10	1,340
40 AT 10/48-6	48	152,79	150,95	—	95	30	40	16	1,630
40 AT 10/60-6	60	190,99	189,10	—	110	30	40	16	2,520

POLIAS AT10 32

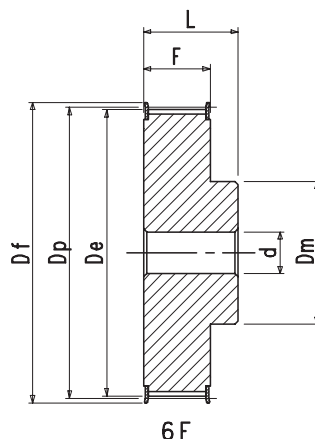
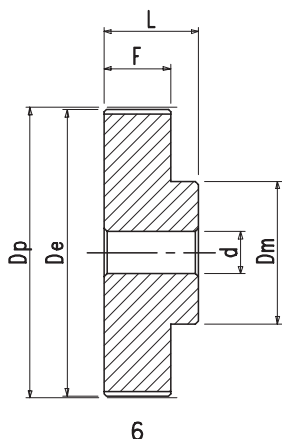
Faça download de nossos desenhos padrões.



AT10 32 Referência	Número de Dentes	Dp	De	Df	Dm	F	L	d	Peso kg
47 AT 10/18-6F	18	57,30	55,45	60	40	37	47	10	0,260
47 AT 10/19-6F	19	60,48	58,60	66	44	37	47	10	0,300
47 AT 10/20-6F	20	63,66	61,80	66	46	37	47	12	0,320
47 AT 10/22-6F	22	70,03	68,15	75	52	37	47	12	0,400
47 AT 10/24-6F	24	76,39	74,55	83	58	37	47	12	0,490
47 AT 10/25-6F	25	79,58	77,70	83	60	37	47	12	0,520
47 AT 10/26-6F	26	82,76	80,90	87	60	37	47	12	0,560
47 AT 10/27-6F	27	85,94	84,10	91	60	37	47	12	0,610
47 AT 10/28-6F	28	89,13	87,25	93	60	37	47	12	0,650
47 AT 10/30-6F	30	95,49	93,65	97	60	37	47	12	0,730
47 AT 10/32-6F	32	101,86	100,00	106	65	37	47	12	0,840
47 AT 10/36-6F	36	114,59	112,75	119	70	37	47	16	1,070
47 AT 10/40-6F	40	127,32	125,45	131	80	37	47	16	1,340
47 AT 10/44-6	44	140,06	138,20	—	88	37	47	16	1,600
47 AT 10/48-6	48	152,79	150,95	—	95	37	47	16	1,900
47 AT 10/60-6	60	190,99	189,10	—	110	37	47	16	2,950

POLIAS AT10 50

Faça download de nossos desenhos padrões.



AT10 50 Referência	Número de Dentes	Dp	De	Df	Dm	F	L	d	Peso kg
66 AT 10/18-6F	18	57,30	55,45	60	40	56	66	10	0,370
66 AT 10/19-6F	19	60,48	58,60	66	44	56	66	10	0,420
66 AT 10/20-6F	20	63,66	61,80	66	46	56	66	12	0,460
66 AT 10/22-6F	22	70,03	68,15	75	52	56	66	12	0,560
66 AT 10/24-6F	24	76,39	74,55	83	58	56	66	12	0,680
66 AT 10/25-6F	25	79,58	77,70	83	60	56	66	12	0,750
66 AT 10/26-6F	26	82,76	80,90	87	60	56	66	12	0,800
66 AT 10/27-6F	27	85,94	84,10	91	60	56	66	12	0,890
66 AT 10/28-6F	28	89,13	87,25	93	60	56	66	12	0,950
66 AT 10/30-6F	30	95,49	93,65	97	60	56	66	12	1,070
66 AT 10/32-6F	32	101,86	100,00	106	65	56	66	12	1,240
66 AT 10/36-6F	36	114,59	112,75	119	70	56	66	16	1,560
66 AT 10/40-6F	40	127,32	125,45	131	80	56	66	16	1,940
66 AT 10/44-6	44	140,06	138,20	—	88	56	66	16	2,320
66 AT 10/48-6	48	152,79	150,95	—	95	56	66	16	2,890
66 AT 10/60-6	60	190,99	189,10	—	110	56	66	16	4,330